



GAS GRILL POST BASE (PATIO MOUNT & IN-GROUND)

INSTALLATION AND OWNER'S MANUAL

INSTALLER: Leave these instructions with consumer.
CONSUMER: Retain for future reference.



(AOG24-PP Model shown)

IMPORTANT: READ THESE INSTRUCTIONS CAREFULLY BEFORE STARTING INSTALLATION OR USE.

	Standard Height (37")	Accessible Height (32")
Post Base Patio Mount Model #	AOG24-PP	AOG24-PA
Post Base In-Ground Model #	AOG24-GP	AOG24-GA
Compatible Grills	AOG24(L,T)N(P)	

WARNINGS AND SAFETY CODES

IN ADDITION TO THIS DOCUMENT, ALL INFORMATION INCLUDING WARNINGS, SAFETY CODES, GUIDELINES, CLEARANCES AND REQUIREMENTS OUTLINED IN THE GRILL OWNER'S MANUAL MUST BE FOLLOWED.

THIS BASE WILL GET HOT WHEN THE INSTALLED APPLIANCE IS IN USE.

ONLY TO BE USED OUTDOORS

CODE AND SUPPLY REQUIREMENTS: Installation must conform with local codes or, in the absence of local codes, with either the National Fuel Gas Code, ANSI 2223.1/NFPA 54, or the Natural Gas and Propane Installation Code, CSA B149.1, or the Propane Storage and Handling Code, CSA B149.2, as applicable.

When installed to this base:

The outdoor cooking gas appliance and its individual shut-off valve must be disconnected from the gas supply piping system during any pressure testing of that system at test pressures in excess of 1/2 psi (3.5 kPa).

The outdoor cooking gas appliance must be isolated from the gas supply piping system by closing its individual manual shut-off valve during any pressure testing of the gas supply piping system at test pressures equal to or less than 1/2 psi (3.5 kPa).

⚠ DANGER:

IF YOU SMELL GAS:

- Shut off gas to the appliance.
- Extinguish any open flame.
- Open appliance lid.
- If odour continues, keep away from the appliance and immediately call your gas supplier or the fire department.

⚠ WARNING:

- Do not store or use gasoline or other flammable liquids or vapours in the vicinity of this base or any other appliance.
- An LP cylinder not connected for use shall not be stored in the vicinity of this base or any other appliance.

⚠ WARNING:

Improper installation, adjustment, alteration, service, or maintenance can cause injury or property damage. For proper installation, refer to the installation instructions. For assistance or additional information, consult a qualified professional service technician, service agency, or the gas supplier.

CONTENTS

GETTING STARTED

INSTALLATION, OPERATION, AND SAFETY INFORMATION.....	3
APPLIANCE INSTALLATION REQUIREMENTS	3
GAS SAFETY INFORMATION.....	4
<i>WHEN USING PROPANE GAS</i>	4
<i>WHEN USING NATURAL GAS</i>	4
<i>INSTALLATION SAFETY GUIDELINES</i>	4
OPERATING THE UNIT SAFELY AND CORRECTLY	4
SAFE USE & MAINTENANCE OF PROPANE GAS CYLINDERS	5
PROPANE CYLINDER HOUSING AND RESTRAINING REQUIREMENTS	7
<i>PROPANE CYLINDER ENCLOSURE PARAMETERS</i>	7
MODEL SPECIFICATIONS	9
AOG GRILL POST BASE REPLACEMENT PARTS LIST	11

INSTALLATION

CONSTRUCT PROPANE CYLINDER ENCLOSURE (if applicable)	12
INSTALLATION PREPARATION	12
<i>BEFORE YOU BEGIN</i>	12
<i>LOCATION</i>	12
<i>UNPACK POST BASE</i>	13
<i>PREPARE FOR INSTALLATION</i>	13
<i>UNPACK & PREPARE GRILL</i>	13
<i>CHECK/CONVERT GAS TYPE</i>	14
PATIO MOUNT POST INSTALLATION	15
<i>INSTALL GRILL TO POST BASE</i>	15
<i>ROUTE GAS SUPPLY</i>	16
<i>SECURE BASE PLATE</i>	16
IN-GROUND POST INSTALLATION.....	17
<i>ATTACH POST EXTENSION</i>	17
<i>ROUTE FLEX CONNECTOR (ABOVE GROUND METHOD ONLY)</i>	17
<i>ROUTE GAS SUPPLY (UNDERGROUND METHOD)</i>	18
<i>PLACE POST IN-GROUND & POUR CONCRETE</i>	18
<i>INSTALL GRILL TO POST BASE</i>	19
COMMON INSTALLATION	20
<i>CONNECT FLEX FROM GRILL TO TIMER</i>	20
<i>CONNECT GAS SUPPLY</i>	20
<i>LEAK TEST</i>	20
<i>ELECTRICAL CONNECTIONS (if applicable)</i>	21
<i>RE-SECURE ACCESS PLATE</i>	21
<i>SERVICING AND CLEANING</i>	22
<i>INSTALL RIGID SHELVES</i>	22
<i>INSTALL DRIP TRAY</i>	22
<i>INSTALL OVEN HOOD SIDE HANDLE KIT</i>	22

IMPORTANT NOTICE:

T-Series grills that are compatible with this post base are not equipped with lighting and do not require electrical connections.

All information in this manual regarding electrical power, wiring, or lighting applies exclusively to L-Series grills and is not applicable to T-Series models.

INSTALLATION, OPERATION, AND SAFETY INFORMATION

1. Wear gloves and use extreme caution whenever installing and handling this product and its accessories as certain components have sharp edges that can cause personal injury.
2. The outdoor appliance and surrounding area **MUST** remain clear of flammable substances such as gasoline, yard debris, wood, etc. Maintain a minimum horizontal clearance of 18" (in all directions) from combustible materials/items.
3. **This post base must be installed so that the vent openings on the installed appliance remain clear and free at all times. See the GAS SAFETY INFORMATION section and the owner's manual included with the appliance installed onto the post base.**
4. **When using propane gas: the propane cylinder, regulator, and rubber hose must be in a location not subject to temperatures above 125° F (51° C).**
5. The in-line gas valve or gas cylinder valve must always be shut OFF when the unit is not in use.
6. **Do not store combustible materials under or near the appliance.**

APPLIANCE INSTALLATION REQUIREMENTS

BEFORE INSTALLING THE APPLIANCE TO THE POST BASE:

IMPORTANT!

YOU MUST READ the appliance owner's manual for all INSTALLATION REQUIREMENTS and GAS-SUPPLY PLUMBING REQUIREMENTS.

GAS SAFETY INFORMATION

WHEN OPERATING THE GAS APPLIANCE, ALL INSTRUCTIONS AND WARNINGS MUST BE OBSERVED. FAILURE TO DO SO MAY RESULT IN A FIRE OR EXPLOSION CAUSING PROPERTY DAMAGE, BODILY INJURY, OR DEATH.

WARNING

This gas appliance (and the propane cylinder enclosure if applicable) **MUST** be plumbed and vented in accordance with local building and safety codes and should be approved by local code enforcement officials. This appliance **MUST** be installed and operated according to the information below.

FAILURE TO PROPERLY VENT THE PROPANE TANK (AND ENCLOSURE IF APPLICABLE) MAY RESULT IN A FIRE OR EXPLOSION CAUSING PROPERTY DAMAGE, BODILY INJURY, OR DEATH.

A leaking gas connection or valve unintentionally left open will create a hazard.

WHEN USING PROPANE GAS

- **Propane gas** (also known as **L.P. gas**) is heavier than air and will accumulate or pool in an inadequately vented enclosure or recessed area.
- If a pool of **propane gas** is ignited, an explosion will occur. Adequate venting at the floor level of the propane tank eliminates this danger. (For enclosures, this includes venting at the floor level, or the lowest point where gas could accumulate.)
Refer to the **PROPANE CYLINDER HOUSING AND RESTRAINING REQUIREMENTS** section (if applicable). Observe all local codes.
- DO NOT store a spare propane-gas cylinder near the unit.

WHEN USING NATURAL GAS

- **Natural gas** is lighter than air and will accumulate at the top of an inadequately vented area or enclosure.
- If an accumulation of **natural gas** is ignited, an explosion will occur. Adequate venting will eliminate this danger. (For enclosures, this includes venting at the top of the enclosure, or the highest point where gas could accumulate.)
Refer to the **PROPANE CYLINDER HOUSING AND RESTRAINING REQUIREMENTS** section (if applicable). Observe all local codes.

INSTALLATION SAFETY GUIDELINES

THIS UNIT MUST BE INSTALLED SO THAT THE AREA AROUND THE UNIT AND PROPANE TANK (AND VENT OPENINGS ON THE ENCLOSURE IF APPLICABLE) REMAIN CLEAR AND FREE AT ALL TIMES. See the PROPANE CYLINDER HOUSING AND RESTRAINING REQUIREMENTS section (if applicable).

CAUTION: FOR YOUR SAFETY, you must provide openings in the enclosure for replacement air and ventilation (in case of possible leakage from gas connections or propane cylinders). Failure to do so may result in a fire or explosion causing property damage, bodily injury, or death. See the PROPANE CYLINDER HOUSING AND RESTRAINING REQUIREMENTS section (if applicable).

The gas cylinder, regulator, and rubber hose must be in a location not subject to temperatures above 125° F (51° C).

IF A PROPANE CYLINDER IS INSTALLED, THE GUIDELINES FOUND IN THE SAFE USE & MAINTENANCE OF PROPANE GAS CYLINDERS SECTION MUST BE FOLLOWED. IF A PROPANE CYLINDER IS INSTALLED INSIDE AN ENCLOSURE, THE GUIDELINES FOUND IN THE PROPANE CYLINDER HOUSING AND RESTRAINING REQUIREMENTS SECTION MUST BE FOLLOWED.

OPERATING THE UNIT SAFELY AND CORRECTLY

Every time you use the unit, **make sure that:**

1. The area around the unit (and enclosure if applicable) is clear and free from combustible materials, gasoline and flammable vapours and liquids.
2. There is no blockage of the airflow around the unit and propane tank, and through the enclosure if applicable.
3. The hose is inspected (if applicable). See SAFE USE & MAINTENANCE OF PROPANE-GAS CYLINDERS section.

DO NOT store any combustible materials, gasoline, and any other flammable vapours/liquids in the vicinity of the unit. Provide adequate clearance for servicing and operation.

SAFE USE & MAINTENANCE OF PROPANE GAS CYLINDERS

IMPORTANT FOR YOUR SAFETY

READ AND FOLLOW ALL WARNINGS PROVIDED WITH THE PROPANE-GAS CYLINDER.

When operating this appliance with a propane-gas cylinder, these instructions and warnings **MUST** be observed.
FAILURE TO DO SO MAY RESULT IN A SERIOUS FIRE OR EXPLOSION.

For requirements related to the installation of the cylinder, see the **PROPANE CYLINDER HOUSING AND RESTRAINING REQUIREMENTS** section.

CYLINDER/CONNECTOR REQUIREMENTS

- Propane-gas cylinders, valves, and hoses must be maintained in good condition and inspected before each use of appliance. They must be replaced if there is any visible damage. If hose is cut or shows excessive abrasion or wear, it must be replaced before using appliance (see e.).
- This unit, when used with a cylinder, should be connected to a standard 5-gallon (20 lb.) propane-gas cylinder equipped with a listed overfilling prevention device. The device has been required on all cylinders sold since October 1, 1998, to prevent overfilling.
- Cylinder dimensions should be approximately 12" (30.5 cm) in diameter and 18" (45.7 cm) high. Cylinders must be constructed and marked in accordance with the U.S. Department of Transportation (D.O.T.) *Specifications for LP-Gas Cylinders*, or the *Standard for Cylinders, Spheres, and Tubes for Transportation of Dangerous Goods and Commission*, CAN/CSA-B339, as applicable.
- The cylinder used must include a collar to protect the cylinder valve. The cylinder supply system must be arranged for vapour withdrawal. See Fig. 5-1.
- When used with a cylinder, the gas supply system must be used with a pressure regulator. The pressure regulator and hose assembly (**not supplied**) used must match the specification for Type I by ANSI Z 21.58/CGA 1.6 and must comply with UL 144 as a part of the self-contained LP gas supply system (see Fig. 5-1).
- The propane-gas cylinder valve must be equipped with a cylinder connection device, described as Type I in the standard defined in paragraph e. above. This device is commonly described as an Acme thread coupler.
- If the cylinder comes with a dust plug, place it on the cylinder valve outlet whenever the cylinder is not in use. Only install the type of dust cap on the cylinder valve outlet that is provided with the cylinder valve. Other types of caps or plugs may result in leakage of propane.

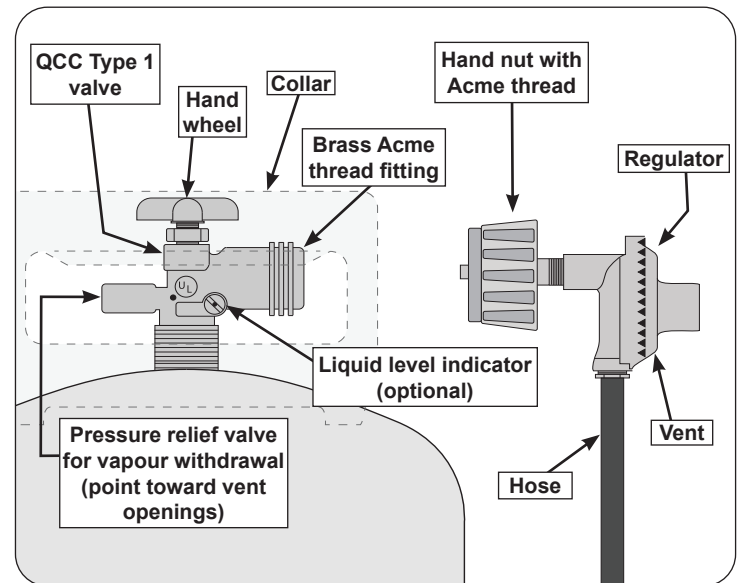


Fig. 5-1 Type I Acme thread coupler

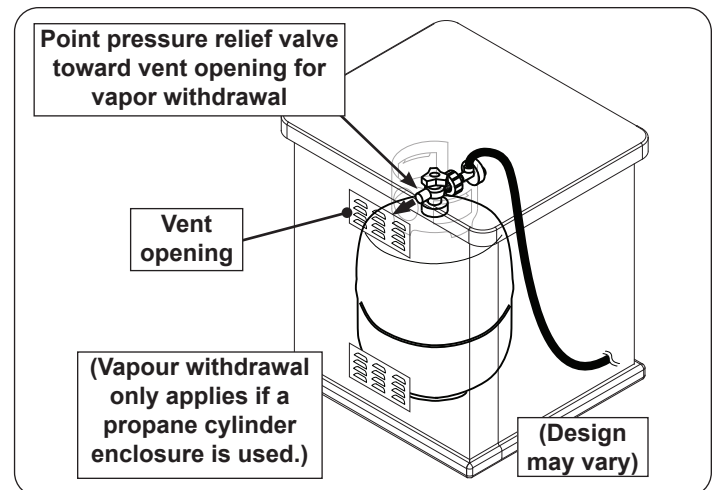


Fig. 5-2 Vapour withdrawal detail (if applicable)

COUPLER OPERATION

To connect the regulator/hose assembly to the propane-gas cylinder valve fitting: Press the hand nut on the regulator over the Acme thread fitting on the cylinder valve. Turn the hand nut clockwise to engage the threads and tighten until snug. The use of pliers or a wrench should not be necessary. Only cylinders marked "propane" may be used.

To disconnect: Turn the hand nut counterclockwise until detached (Fig. 5-1).

SAFE USE & MAINTENANCE OF PROPANE GAS CYLINDERS (Cont.)

Important: Before using the unit, and after each time the cylinder is removed and reattached, check the hose for wear (see a.) and check all connections for leaks. Turn off the unit valves and open the main cylinder valve, then check connections with soapy water. **NEVER USE A FLAME TO CHECK FOR LEAKS.** Repair any leaks before lighting the unit.

CAUTION: Always turn the propane cylinder main valve off after each use, and before moving the unit and cylinder or disconnecting the coupling. This valve must remain closed and the cylinder disconnected while the appliance is not in use, even though the gas flow is stopped by a safety feature when the coupler is disconnected.

Carefully inspect the hose assembly each time before the gas is turned on. A cracked or frayed hose must be replaced immediately.

If the appliance is stored indoors, the cylinder must be disconnected and removed. Disconnected cylinders must be stored outdoors, out of the reach of children, with threaded valve plugs tightly installed, and must not be stored in a building, garage, or any other enclosed area.

FOR YOUR SAFETY

- A. DO NOT store a spare propane-gas cylinder under or near this appliance.
- B. NEVER fill the cylinder beyond 80-percent full.
- C. IF THE INFORMATION IN a. AND b. IS NOT FOLLOWED EXACTLY, A FIRE CAUSING DEATH OR SERIOUS INJURY MAY OCCUR.
- D. **CGA 791 connections on LP gas cylinders:** The cylinder face elastomeric face seal element on these devices could, over time, show marked and visible damage or deterioration that might cause a leak even with the connection tightened. A visual inspection for the seal must be carried out every time a LP gas cylinder is replaced or refilled. Any LP gas cylinder showing signs of damage or deterioration as illustrated in Fig. 6-1, including visible cracks and pitting, must be replaced.

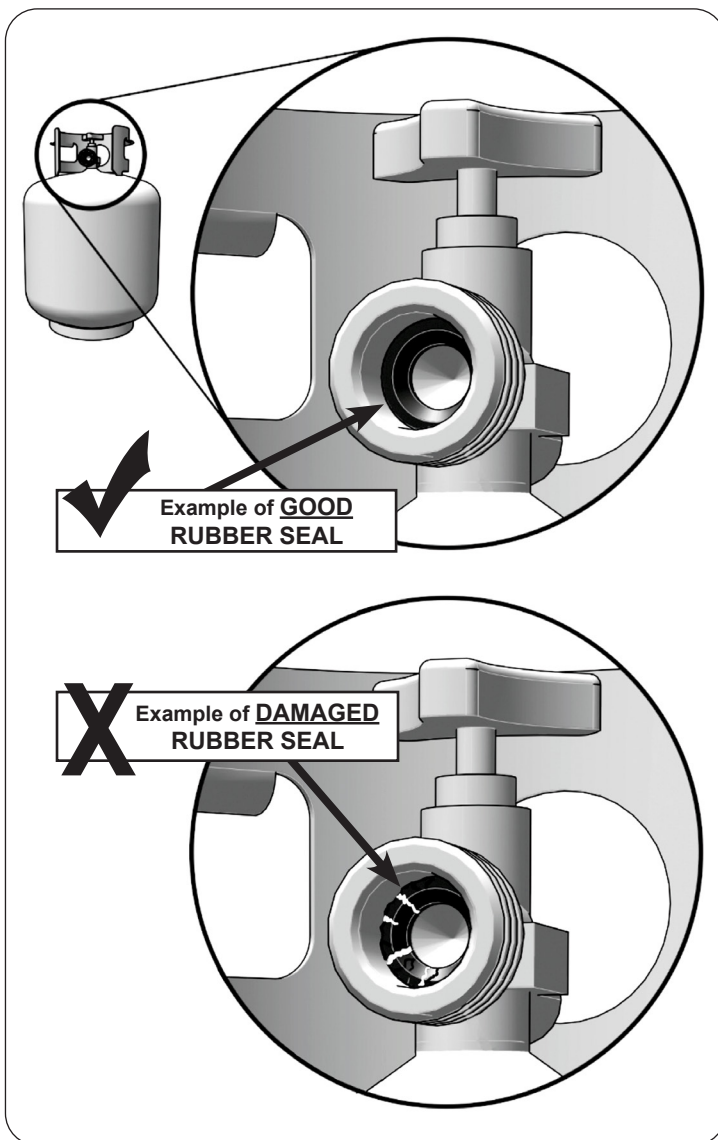


Fig. 6-1 Inspect rubber seal

PROPANE CYLINDER HOUSING AND RESTRAINING REQUIREMENTS

Propane cylinder holders are available (see Table 1). They meet all housing and restraining requirements. Contact your local dealer. For requirements regarding custom-built propane cylinder enclosures, see below.

To ensure proper operation and safety the propane cylinder enclosure **MUST** comply with the following:

- Proper construction - see ENCLOSURE PARAMETERS section.
- Proper ventilation - see VENTILATION section.
- Proper clearances - see INSTALLATION REQUIREMENTS section.

You **MUST** read and follow these sections for complete enclosure requirement details.

PROPANE CYLINDER ENCLOSURE PARAMETERS

General Guidelines

The enclosure can be constructed according to your individual preference, while following all guidelines found in this manual. **The enclosure MUST (see Fig. 7-1):**

- be installed in a safe location on a hard and level surface
- be properly vented (see VENTILATION section)
- be constructed of non-combustible materials
- have the minimum dimensions specified in Fig. 7-1
- have the minimum cutout dimensions (see CUTOUT DIMENSIONS section)
- use an L.P. regulator hose assembly (not included) to connect the unit to the propane cylinder:
 - Single stage: maximum BTU capacity 95k
 - above ground
 - maximum 6 feet in length
- provide a 1" x 1" minimum cutout for the hose assembly
- be constructed so that the cylinder is properly secured, and sits at least 2" above the floor (use mechanical means to secure the cylinder to prevent it from tipping over - see below for an example)
- have a connector that complies with the Standard for *Connectors for Outdoor Gas Appliances and Manufactured Homes, ANSI Z21.75 • CSA 6.27*, and is suitable for outside installation. The maximum length of the connection shall be 6 feet (1.82 m).
- have drainage cutouts (if needed) to prevent the accumulation of water within the enclosure
- meet all requirements found in Fig. 7-1 and the following sections

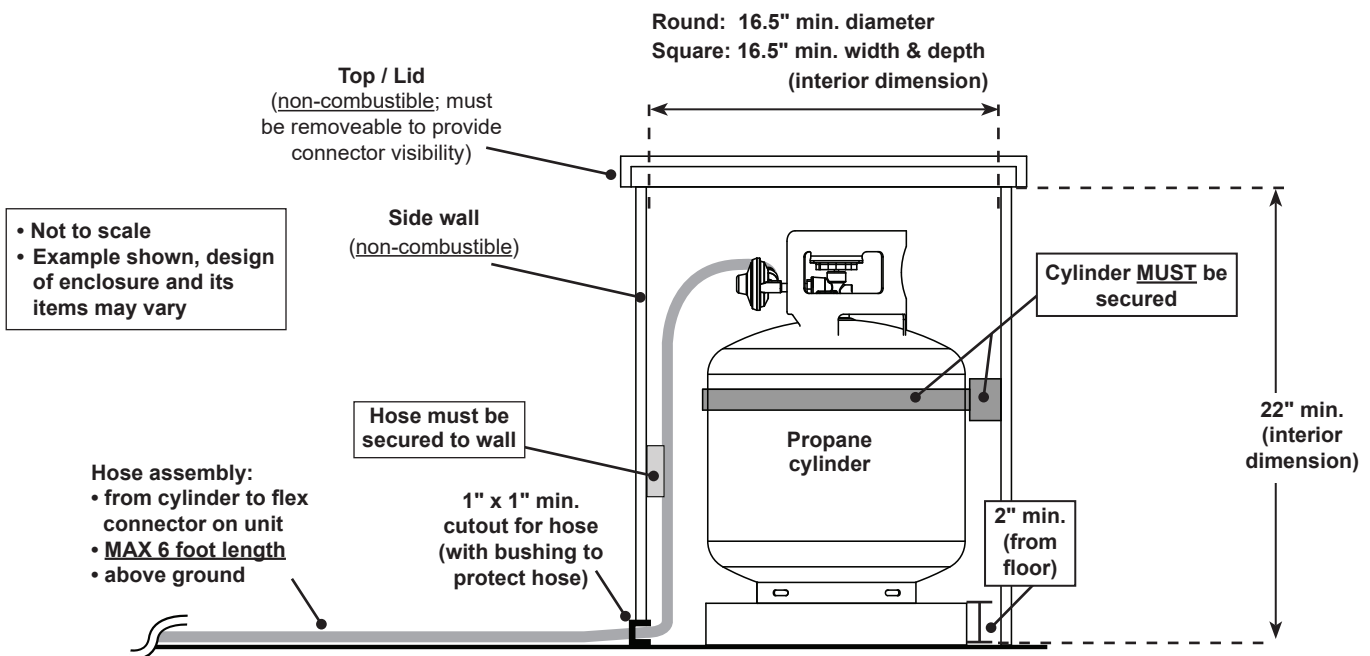


Fig. 7-1 Propane cylinder enclosure specifications (side view)

PROPANE CYLINDER HOUSING AND RESTRAINING REQUIREMENTS (Cont.)

VENTILATION

FOR YOUR SAFETY, you must provide the openings listed below for replacement air and ventilation of the enclosure (in case of possible leakage from gas connections or L.P. cylinders). **Failure to do so may result in a fire or explosion causing property damage, bodily injury, or death.**

One side of the enclosure shall be left completely open to the outside; **OR** 4 minimum vent openings (2 at top and 2 at floor level) **MUST** be created (reference Fig. 8-1 and Fig. 8-2):

- Each opening **at the top level** must have a minimum of **10 sq. in.** of free area. The openings must be equally sized.
- Each opening **at the floor level** must have a minimum of **5 sq. in.** of free area. The openings must be equally sized.
- **Ventilation total of 30 sq. in. free area.**
- Each opening at the top level must be on adjacent walls of the enclosure, and spaced at a minimum of **90 degrees**. The openings must begin 1" or less below the countertop level and end no more than 5" below the countertop level.
- Each opening at the floor level must be on adjacent walls of the enclosure, and spaced at a minimum of **90 degrees**. The openings must begin 1" or less above the floor level and end no more than 5" above the floor level.
- Every opening shall have a minimum dimension so as to permit the entrance of a 3/16" (4.8 mm) rod.
- **The openings must remain unobstructed:**
The clearance between the openings and any items outside of the enclosure is a minimum of 6". The clearance between the openings and cylinder within the enclosure is a minimum of 2". See Fig. 8-2.

It is acceptable to use RHP venting panels (PN 5510-01). Contact your dealer.

PROPANE ENCLOSURE CLEARANCES

The cylinder enclosure must have a 6" minimum side clearance from any construction. See Fig. 8-3.

KEEP THE REQUIRED VENT OPENINGS AND SURROUNDING AREA OF THE ENCLOSURE CLEAR AND FREE AT ALL TIMES.

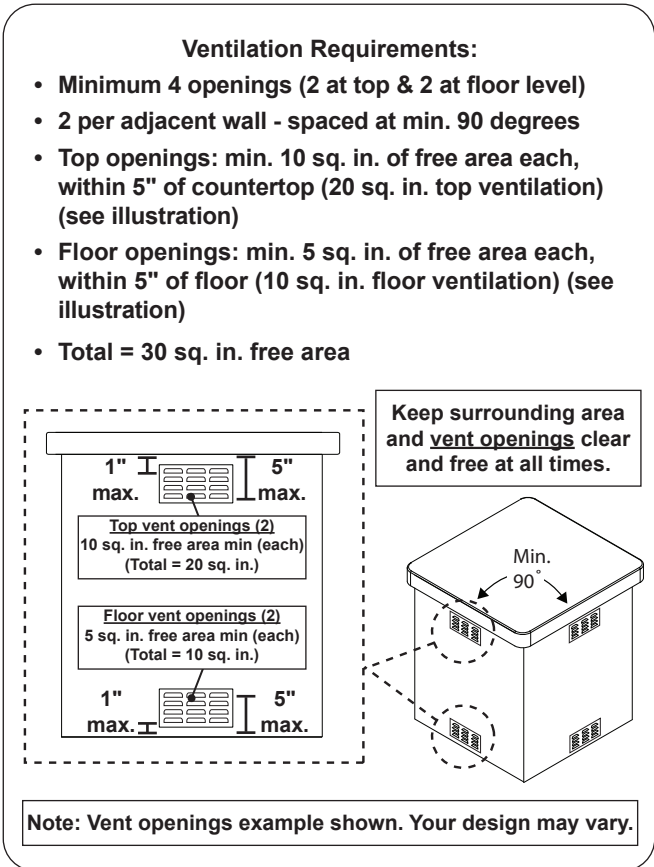


Fig. 8-1 Ventilation Detail

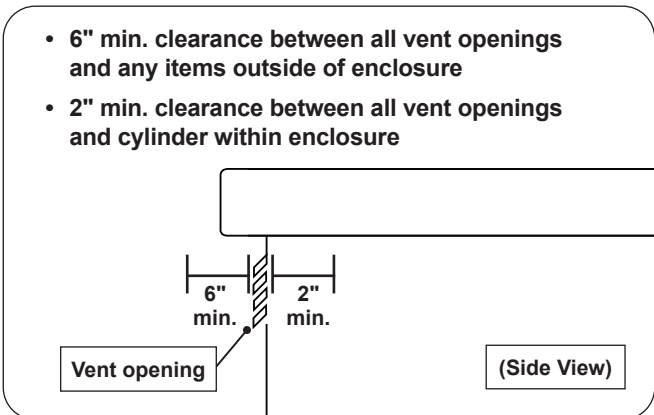


Fig. 8-2 Vent openings clearance

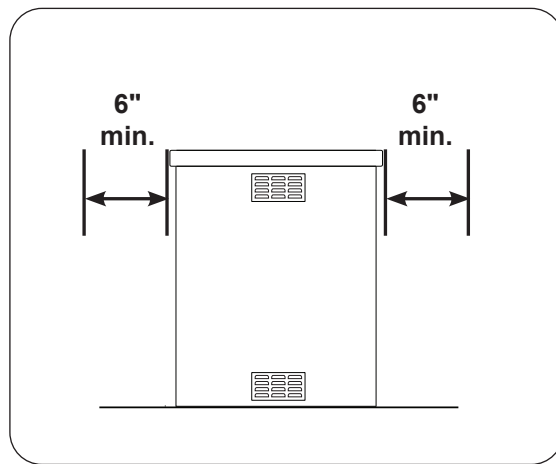


Fig. 8-3 Cylinder clearances

MODEL SPECIFICATIONS

	24"
Propane cylinder holder (for patio mount standard height models only) model #	TH-PP-2
Grill vinyl protective cover model #	AOB24

Table 1 - Post Supporting Products

Model	Height	Width		Depth
	Floor to top of shelf (A)	(Left to right)		(Front to back)
		Base (B)	Shelves (C)	Base (D)
AOG24-PP Standard Height (37")	37"	26"	52 7/8"	20 1/4"
AOG24-PA Accessible Height (32")	32"	26"	52 7/8"	20 1/4"

Table 2 - Post Base (Patio Mount) Dimensions

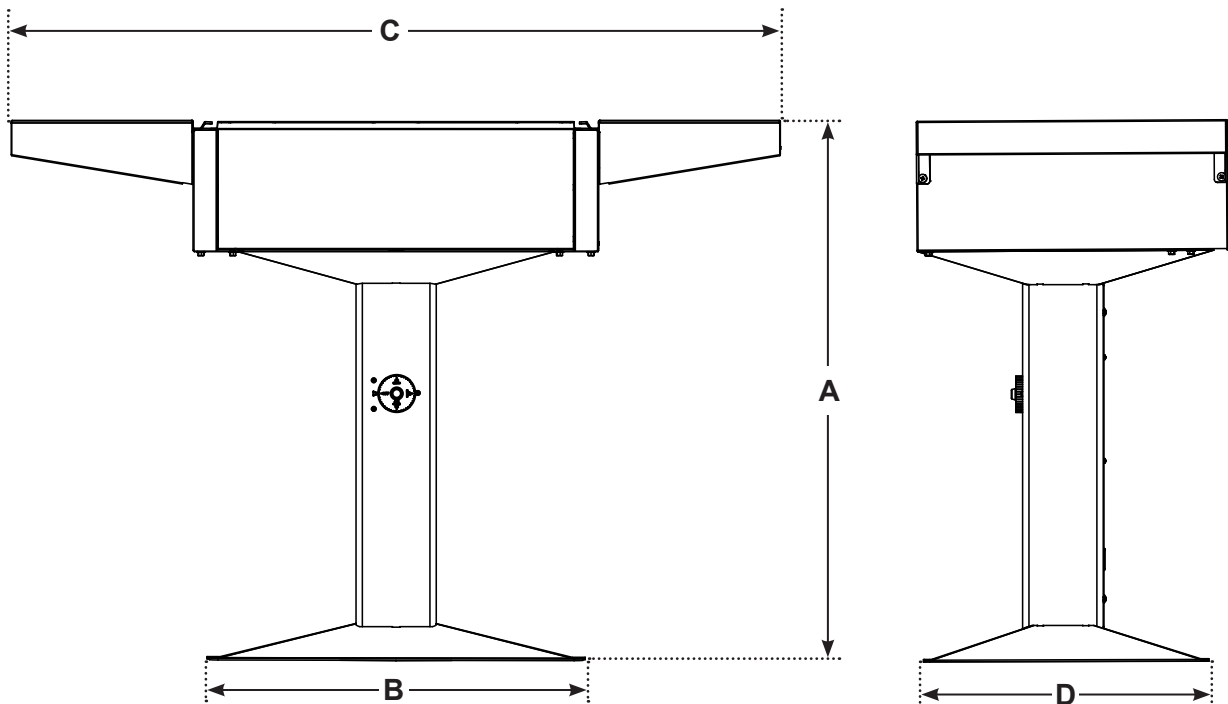


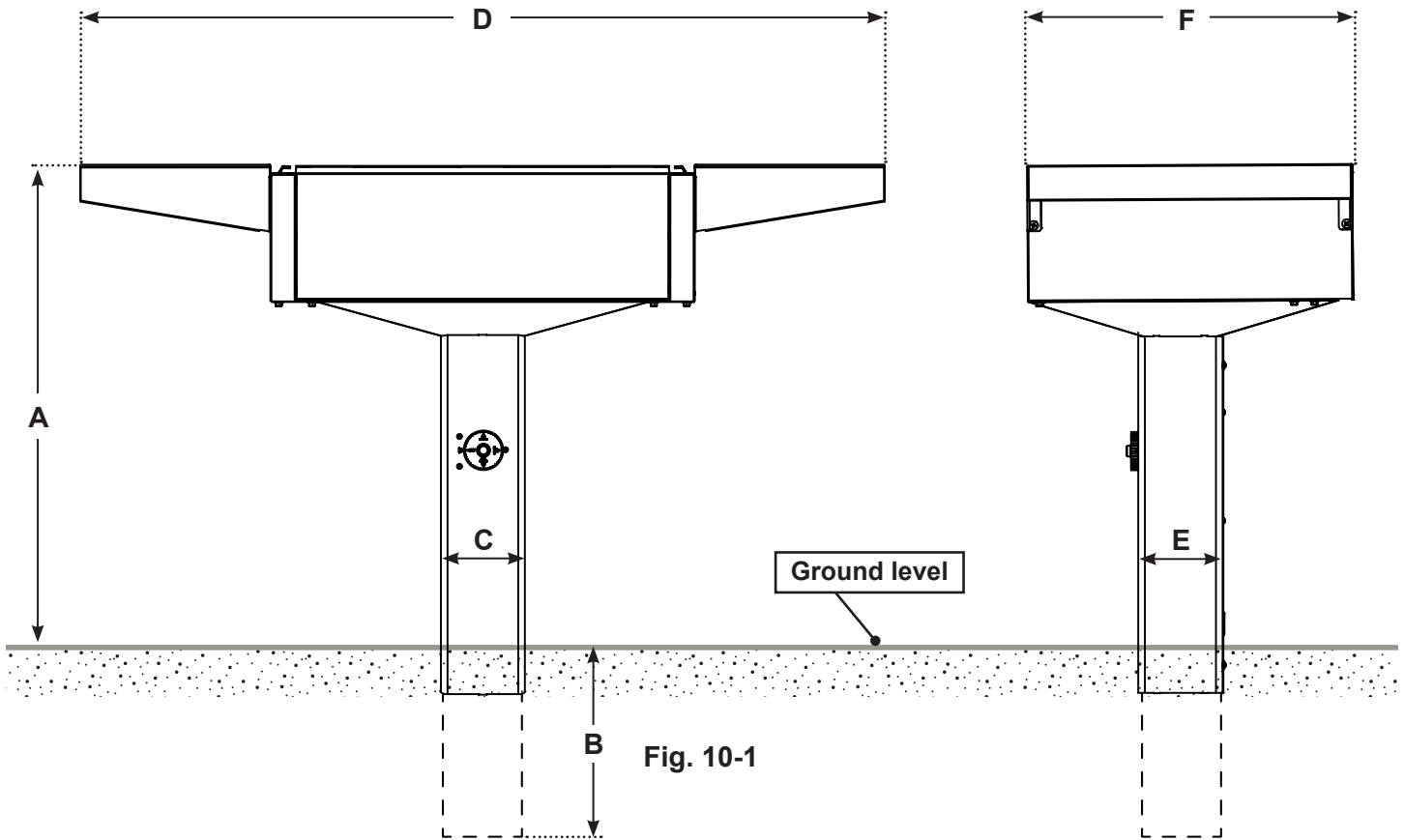
Fig. 9-1

MODEL SPECIFICATIONS (cont.)

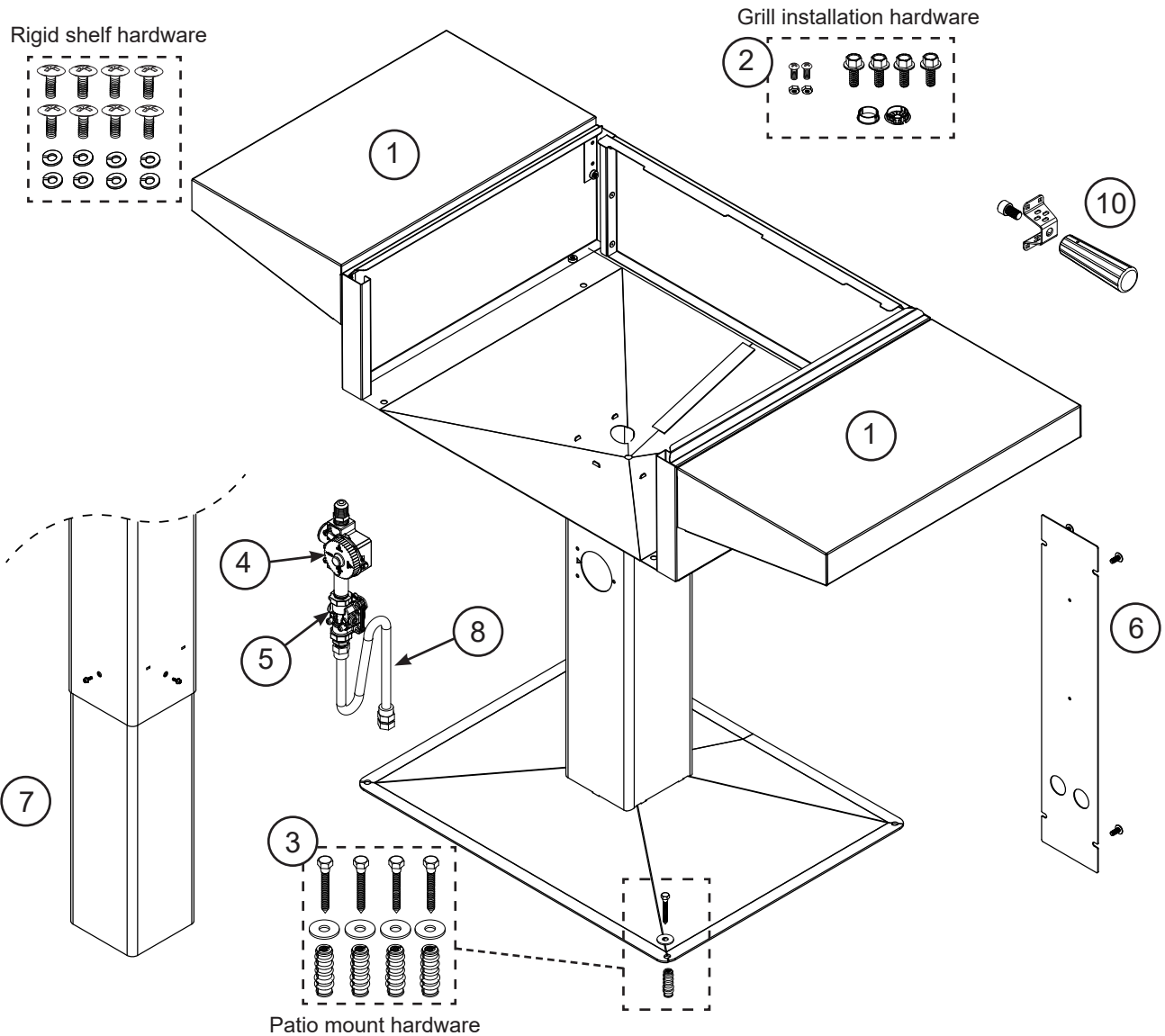
Model	Height*		Width		Depth	
	Floor to top of shelf (A)	Floor to bottom of extension below ground (B)	Left to right		Front to back	
			Post (C)	Shelves (D)	Post (E)	Maximum outer (F)
AOG24-GP Standard Height (37")	37"	16 1/2"	5 1/2"	52 7/8"	5 5/8"	21 1/4"
AOG24-GA Accessible Height (32")	32"	16 1/2"	5 1/2"	52 7/8"	5 5/8"	21 1/4"

***Note:** Height dimensions are approximate from ground level once installed.

Table 3 - Post Base (In-ground) Dimensions



AOG GRILL POST BASE REPLACEMENT PARTS LIST



Item	Description	Patio Mount		In-ground	
		Part No.	Qty.	Part No.	Qty.
1.	Rigid shelf (w/ hardware) (set of 2)	PP-1-24	1	PP-1-24	1
2.	Grill installation hardware (4) 1/4"-20 x 5/8" bolt, (2) 8/32" x 3/8" hex screw, (2) 8/32" hex nuts, (2) grommets	PP-2-24	1	PP-2-24	1
3.	Patio mount hardware kit w/ lag shields and lag screws	24-C-20	1	N/A	-
4.	Timer valve (1 hour)	3092C	1	3092C	1
5.	Convertible regulator	PR-4	1	PR-4	1
6.	Rear access plate (standard height)	PP-6-24	1	GP-6-24	1
or	Rear access plate (accessible height)	PA-6-24	1	GA-6-24	1
7.	In-ground post extension	N/A	-	GP-7-24	1
8.	Flex connector w/ fittings	3035	1	3035	1
9.	Propane regulator w/ hose *	5110-07	1	5110-07	1
10.	Oven hood side handle kit (accessible height models only)	3600-51	1	3600-51	1

* Optional, sold separately (not shown)

CONSTRUCT PROPANE CYLINDER ENCLOSURE (if applicable)

If a propane cylinder is being used as the gas source, and a propane cylinder holder (see Table 1) has not been purchased to restrain the cylinder per requirement, a custom-built cylinder enclosure must be constructed.

Construct the enclosure according to your individual install preference, while following the guidelines found in the PROPANE CYLINDER HOUSING AND RESTRAINING REQUIREMENTS section.

- Construct the enclosure in an appropriate location (Ensure all requirements of this manual and all local codes are met when determining location).
- **Follow all information regarding enclosure parameters, ventilation, drainage, and clearances listed in the PROPANE CYLINDER HOUSING AND RESTRAINING REQUIREMENTS and MINIMUM CLEARANCES sections.** Failure to do so will prevent proper operation and can cause property damage or personal injury.

- Not to scale
- Example shown, design may vary
- See PROPANE CYLINDER HOUSING AND RESTRAINING REQUIREMENTS section for details

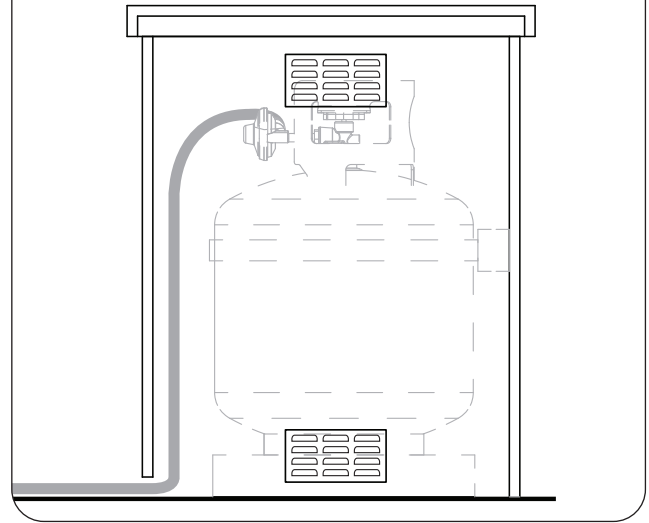


Fig. 12-1 L.P. Cylinder enclosure construction overview (if applicable)

INSTALLATION PREPARATION

BEFORE YOU BEGIN

Important: Prior to installation ensure that all warnings, safety information, specifications, dimensions, electrical requirements (if applicable), and minimum clearances stated in the grill owner's manual AND this manual are observed. All installation requirements must be observed and met.

- Confirm the installation site accommodates the unit installation method per the requirements outlined in the grill owner's manual AND this manual.
- Be sure the power supply (circuit breaker) is turned off at its source (if applicable).
- **Wear gloves and use extreme caution whenever installing and handling this product and its accessories as certain components have sharp edges that can cause personal injury.**
- Remove all packing material (including any protective coatings) and discard prior to installation.

LOCATION

While adhering to all requirements and safety information outlined above, determine and prepare the installation location as follows:

- **Patio mount:** a hard and level surface
- **In-ground:** Prepare a hole approximately 10–12" in diameter and 18" deep, to be filled with cement for a permanent post installation.

Important: The electrical AND gas setup must be considered when determining the location of the unit. See the grill main owner's manual for all requirements and details.

ASSEMBLY REQUIRES TWO OR MORE PEOPLE.

EXERCISE EXTREME CARE DURING ASSEMBLY AND INSTALLATION.

INSTALLATION PREPARATION (cont.)

UNPACK POST BASE

Important: UNPACKING UNIT REQUIRES TWO PEOPLE.

- Remove all protective foam pieces, the accessory box, and any other loose items.
- Remove post base from the package materials and place in designated area for installation.

For patio mount models: Using a Phillips head screwdriver, remove the four mounting screws to detach the post base from the pallet.

For in-ground models: carefully remove the wood support securing the in-ground post.

PREPARE FOR INSTALLATION

Gas connections:

- **Via rear post:** The flex connector (pre-installed inside the post) may be routed to exit through the rear knock-out of the post for connection to the gas supply. See Fig. 13-1, A. The power supply cord is to be routed out the back of the post.
- **Via underground:** The gas supply line may be routed from underground up into the post for connection to the flex connector inside the post. See Fig. 13-1, B. The power supply cord is to be routed out the back of the post.

To access the interior of the post, locate and remove the access plate on the rear side of the post using a medium Phillips-head screwdriver. Retain the screws for later reinstallation.

UNPACK & PREPARE GRILL

It is not required to remove the front panel or control knobs when installing the post base.

DO NOT lift the unit from the front panel. Lift only from the designated areas shown on the following page.

Unpack and prepare the appliance for installation as outlined in the grill owner's manual and the additional steps below:

- Remove the drip tray. See Fig. 13-2.
- Remove the left and right support adjustment bolts located on the bottom front of the appliance. See Fig. 13-3.
- Detach the regulator and adapter found at the end of the flex connector of the AOG grill. See Fig. 13-4. A regulator with flare-to-NPT adapter is already included and pre-installed inside the post base.

Units with electrical:

- If applicable, cut the zip-tie that is securing the wire harness to the side body.
- As outlined in the grill owner's manual, ensure the power supply is disconnected from the harness extension. See Fig. 13-5. The harness extension MUST remain connected to the grill.

Important: Pull from the connectors (not the wires).

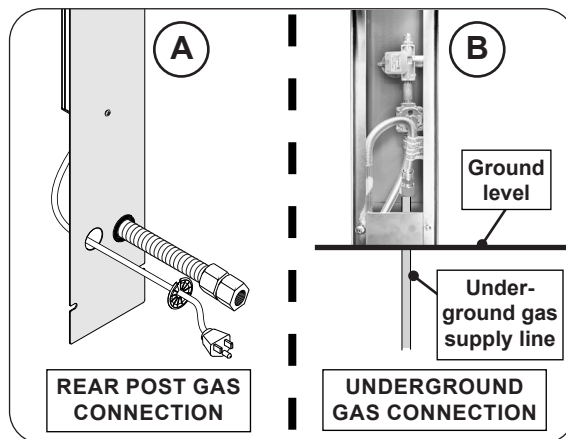


Fig. 13-1 Gas connection methods



Fig. 13-2 Remove drip tray

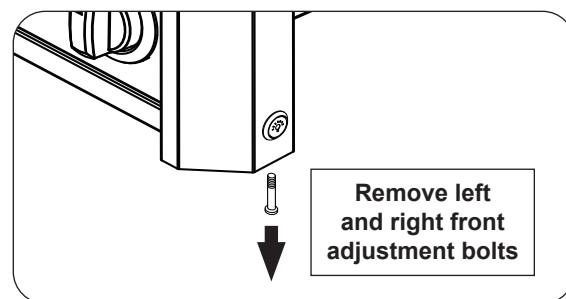


Fig. 13-3 Remove adjustment bolts

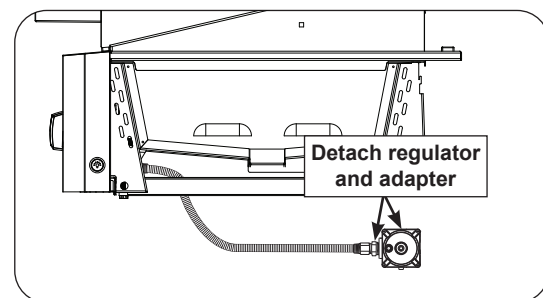


Fig. 13-4 Detach regulator

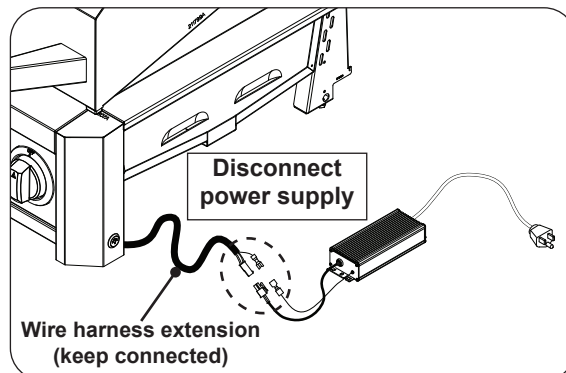


Fig. 13-5 Detach power supply (if applicable)

CHECK/CONVERT GAS TYPE

The AOG appliance is factory preset for natural gas operation. Before installation, determine whether your gas supply will remain natural gas or if conversion to LP is required.

If using LP gas, conversion is required. The appliance orifices and the regulator pre-mounted inside the post base must be converted for LP operation. Refer to the grill owner's manual for detailed conversion instructions and component specifications.

Important: Ensure to convert the regulator that is mounted inside the post base, not the regulator supplied with the grill. The regulator supplied with the grill should have already been removed as it will not be used in this installation. See Unpack & Prepare Grill section on the previous page.

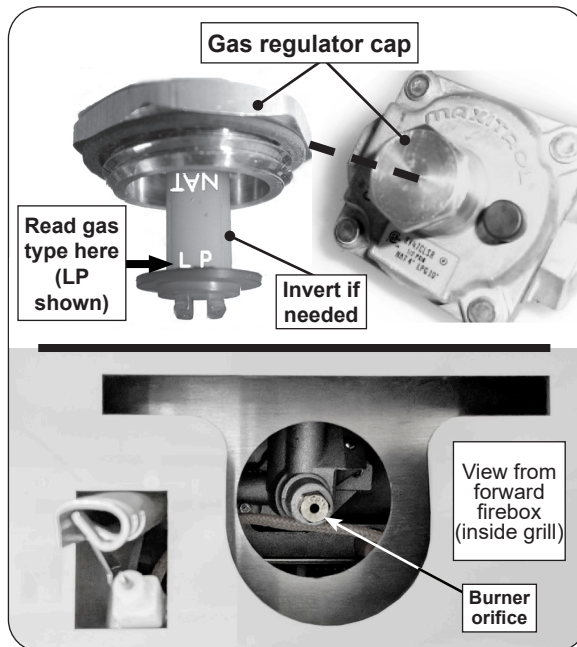


Fig. 14-1 Convert regulator and burners

Proceed to the correct section for your installation type:

PATIO MOUNT INSTALLATION

OR

IN-GROUND POST INSTALLATION

PATIO MOUNT POST INSTALLATION

IMPORTANT:

BEFORE PROCEEDING, ENSURE THE GRILL IS PREPARED FOR INSTALLATION AND COMPONENTS ARE REMOVED AS REQUIRED.
See the Unpack & Prepare Grill section on page 13.

Installation must be performed by a qualified professional service technician.

INSTALL GRILL TO POST BASE

It is not required to remove the front panel (or knobs) to install this unit.

DO NOT lift the unit from the front panel when installing. Lift only from the designated areas shown in Fig. 15-1.

CAUTION: THE APPLIANCE IS HEAVY AND REQUIRES THREE OR MORE PEOPLE FOR SAFE HANDLING.

1. Carefully lift and place the rear end of the appliance over the post base opening and begin to slide the unit inward (Fig. 15-1, A). **DO NOT SLIDE THE UNIT IN COMPLETELY!** **While installing:**

- Be sure to simultaneously route the flex connector and wire harness extension (if applicable) down through the large circular opening on the upper portion of the post base. See Fig. 15-1, B.
- **TAKE EXTRA CAUTION WHEN ROUTING THE GAS AND ELECTRICAL CONNECTIONS.**
- Route the wire harness extension down the left side of the grill front leg (see Fig. 15-2). Routing the harness on the right side of the front leg will cause pinching and damage to the wiring.
- Slide the appliance in completely until the back portion of the unit drops slightly, the hangers are resting evenly on the post base grill housing, and the unit reaches its full stopping point.

Important: Ensure gas connections (and electrical, if applicable) are clear from pinching, undamaged, and the grill is completely inserted into the post base grill cavity.

2. Use the four 3/8" hex screws included with the grill installation hardware to fasten the appliance's front and rear legs from underneath the grill cavity housing and secure the grill to the post base. See Fig. 15-3. Tighten securely.

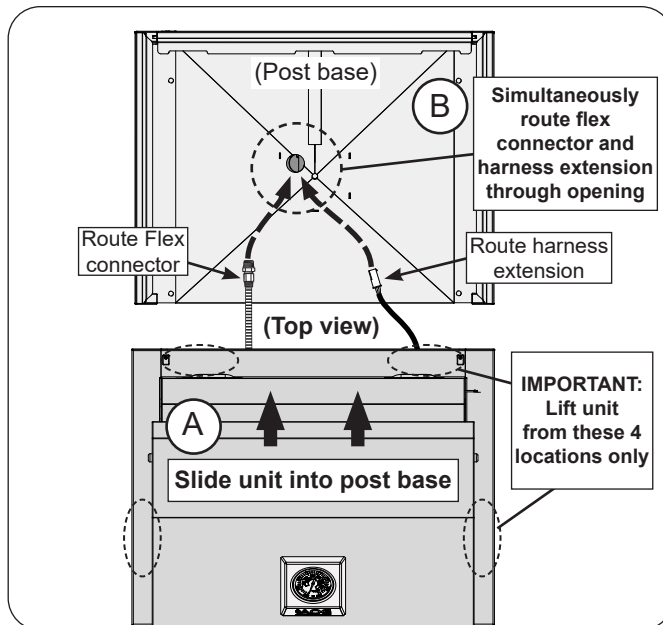


Fig. 15-1 Install grill to post base

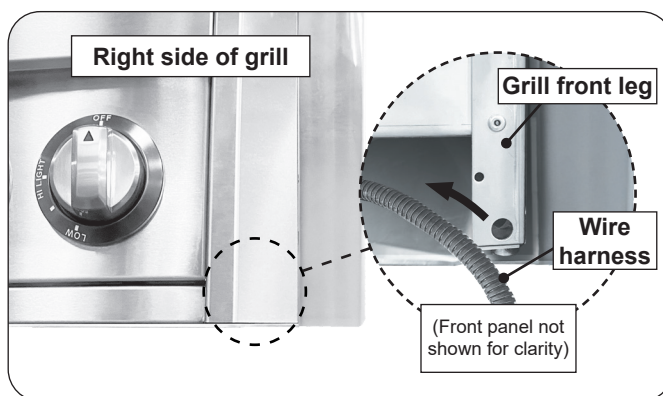


Fig. 15-2 Route wire harness

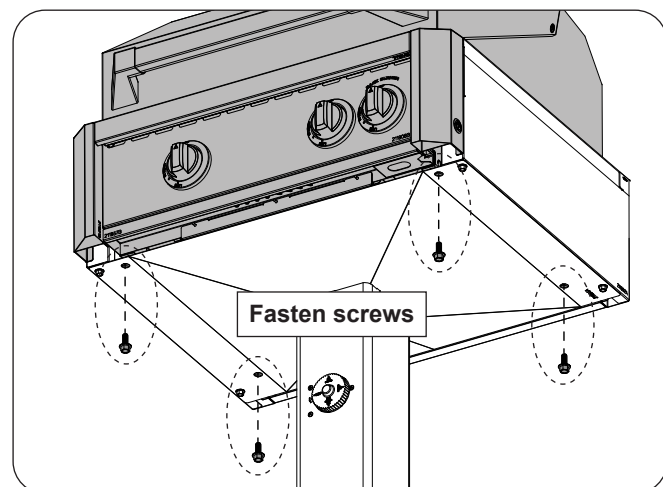


Fig. 15-3 Secure appliance to post base

IMPORTANT:

THE HEX SCREWS MUST BE USED TO PROPERLY SECURE THE APPLIANCE TO THE POST BASE.

ROUTE GAS SUPPLY

The gas supply line (NPT) will need to be run to the post install location (above or underground) as appropriate for your setup.

Above ground:

1. Remove the knock-out disk at the bottom right of the access plate with a large flathead screwdriver. (Insert the screwdriver into the notch provided in the center of the knock-out.)
2. Remove the plastic grommet (attached to the flex connector) and insert it into the newly created opening. Then route the flex connector through the opening. See Fig. 16-1.

Underground:

- The flex connector must remain enclosed inside the post for connection to the gas supply.
- The gas supply (NPT) stub must be routed from underground, to the planned grill location, and up through the hole found on the bottom of the post base (see Fig. 16-2).

SECURE BASE PLATE

Important: The patio mount base must be fastened securely to a stable, level surface to ensure the grill remains fixed and upright at all times. Use the patio mount hardware supplied with your post base. Refer to the REPLACEMENT PARTS LIST as needed.

Ensure proper placement of the planned grill location and mark the 4 holes. Drill the marked holes to a 1/2" diameter x 1 1/2" depth. Insert the lag shields (see Fig. 16-3) into the holes, being sure that they are flush with the ground.

Align the holes on the post base over the lag shields in the ground. Secure the base with the washers and lag screws (see Fig. 16-3) using a 7/16" nut driver.

Proceed to the COMMON INSTALLATION section.

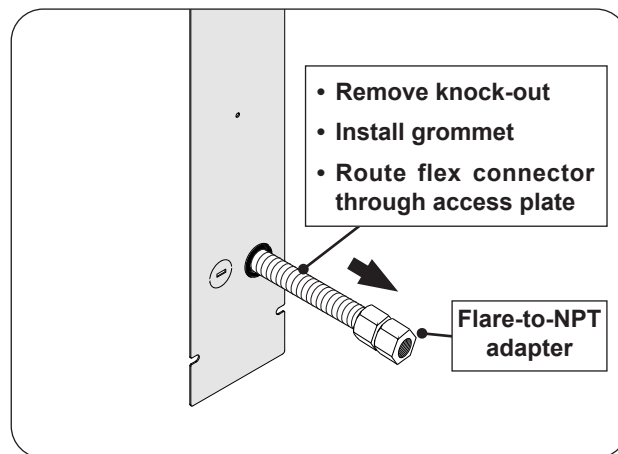


Fig. 16-1 Route flex connector (rear of post)

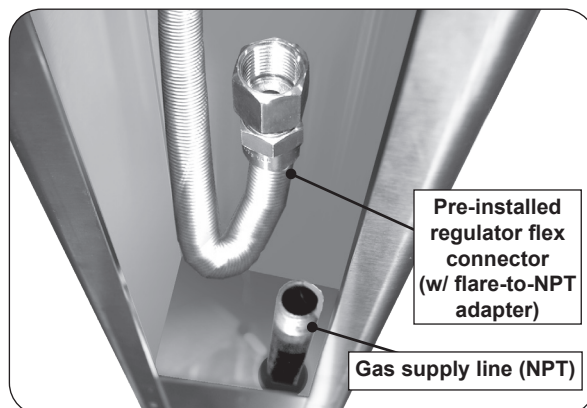


Fig. 16-2 Route gas supply (underground)

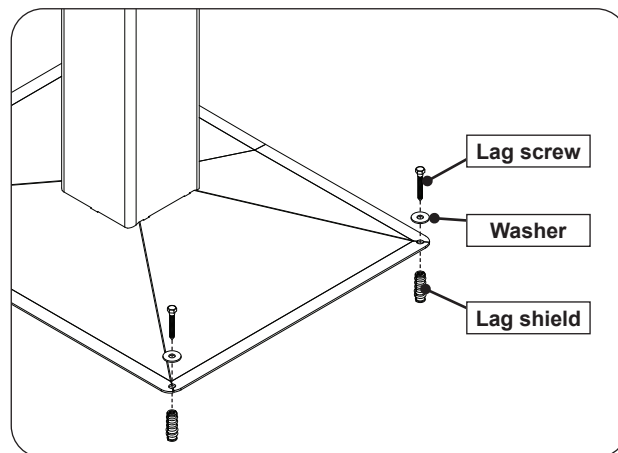


Fig. 16-3 Secure base plate

IN-GROUND POST INSTALLATION

Installation must be performed by a qualified professional service technician.

The in-ground post base is designed primarily for installation with a permanent underground gas supply.

ATTACH POST EXTENSION

1. Remove the pre-installed bolts from the post extension and set aside for later installation.
2. Attach the extension to the bottom of the grill post so that the open portion is toward the back of the grill and the five holes in the extension line up with the five (5) weld-nuts in the post (see Fig. 17-1).
3. Reinstall the bolts from outside the joined post and extension, insert one of the 1/4" X 20-5/8" bolts (supplied) into each of the five (5) bolt holes and tighten each using a 7/16" socket driver or wrench (see Fig. 17-2).

Note: There is one hole on each side of the post, except the back which has two holes located on either side of the extension opening.

ROUTE FLEX CONNECTOR (ABOVE GROUND METHOD ONLY)

Note: This section addresses an above ground gas supply setup. If connecting underground, skip to the ROUTE GAS SUPPLY (UNDERGROUND METHOD) section on the following page.

The gas supply line (NPT) will need to be run to the post install location as appropriate for the desired setup.

To route flex connector through rear of post:

1. Remove the knock-out disk at the bottom of the access plate with a large flathead screwdriver. (Insert the screwdriver into the notch provided in the center of the knock-out.)
2. Remove the plastic grommet (attached to the flex connector) and insert it into the newly created opening. Then route the flex connector through the opening. See Fig. 17-3.

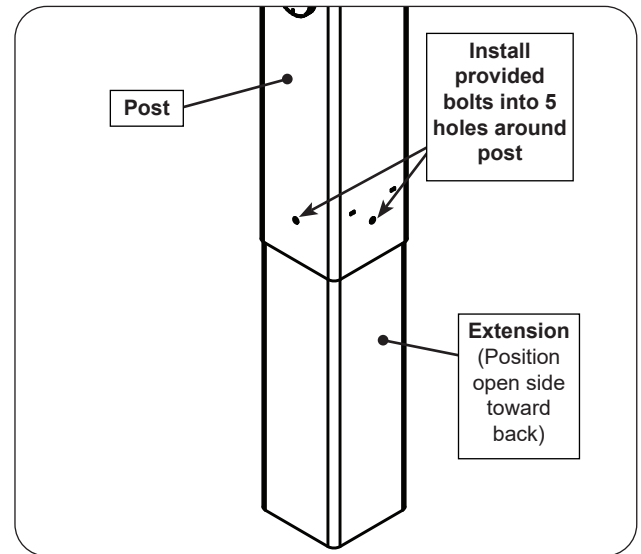


Fig. 17-1 Install extension to post

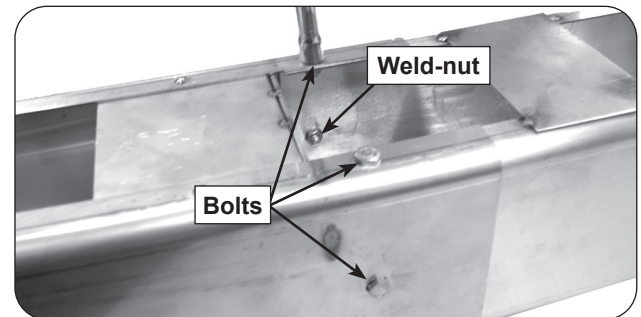


Fig. 17-2 Fasten extension to post

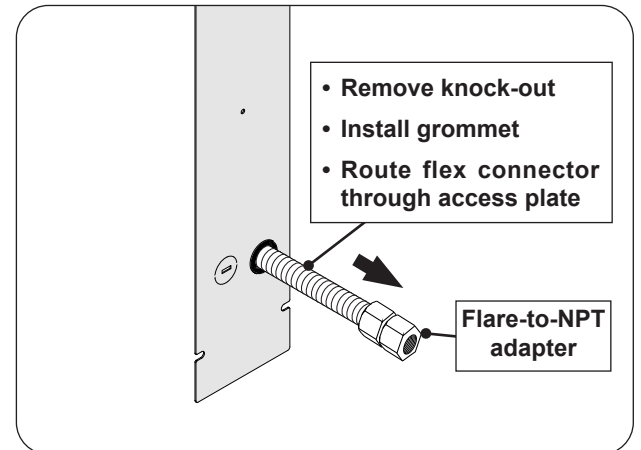


Fig. 17-3 Route gas supply (above ground)

IN-GROUND POST INSTALLATION (cont.)

ROUTE GAS SUPPLY (UNDERGROUND METHOD)

If connecting to gas supply above ground, proceed to the following section as gas connections will be addressed *after* the post base is installed.

1. After running the underground gas supply (NPT) line to the planned grill location, dig a hole for the post and extension approximately 18" deep and 10-12" in diameter.

Note: Run the gas supply line up from the bottom of the hole (a little off center) so that it reaches to approximately 4" above ground level.

Standard height models: The actual depth of the hole should be such that the shelf surface is approximately **37" above the ground level**.

Accessible height models: The actual depth of the hole should be such that the shelf surface is approximately **32" above the ground level**.

2. Verify that the gas supply line fits through the gas line clearance hole in the bottom of the post (see Fig. 18-2). The clearance hole is the larger of the two holes in the bottom of the post and is off center.
3. Verify that the flex connector coming from the inside of the post will connect properly with the gas supply line.

PLACE POST IN-GROUND & POUR CONCRETE

Note: The plate cutouts on the side of the post can serve as a reference line for the ground level. See Fig. 18-3, A.

1. Prepare the concrete to be used for the install.
2. Carefully orient the post over the gas supply line and into the installation hole.

Important: Verify that the gas supply line is running up through the post hole. It must extend high enough to reach the grill gas connection and remain safely above the level of the concrete when poured.

3. Remove the post, and if applicable, cover the end of the gas supply line with a plastic bag and/or masking tape to avoid getting concrete or other debris in the supply line.
4. Pour the concrete into the hole 3-5" below ground level taking care to protect the gas supply line.
5. While the concrete is still wet, carefully lower the extended grill post into the hole so that the gas supply line slides through the clearance hole in the bottom of the post.
6. Orient the post per plan and support it so that it remains in an upright, LEVEL and aligned position while the concrete dries.

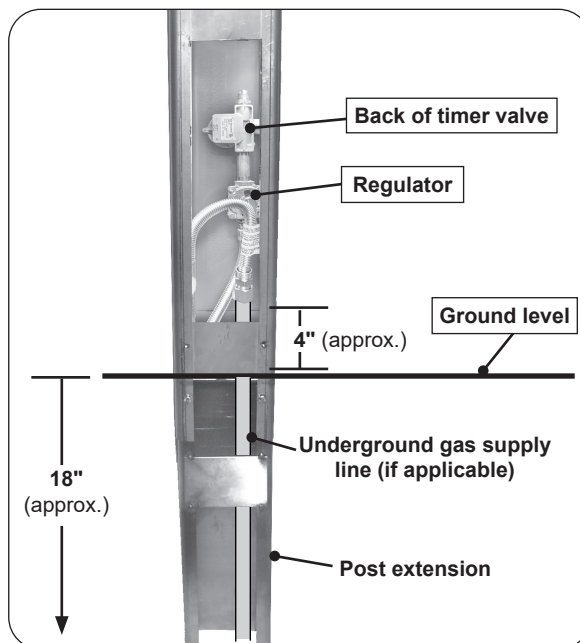


Fig. 18-1 In-ground install orientation

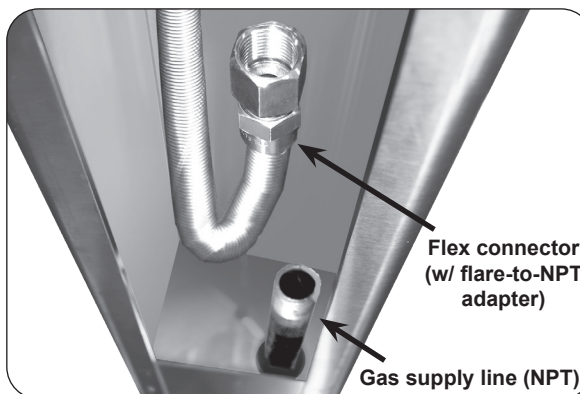


Fig. 18-2 Post interior overview detail

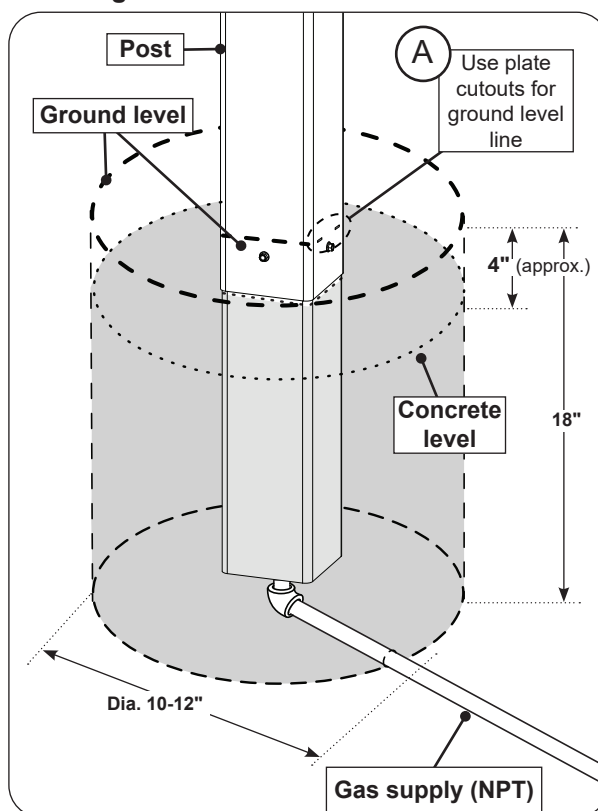


Fig. 18-3 Pour concrete & install post

IN-GROUND POST INSTALLATION (cont.)

INSTALL GRILL TO POST BASE

IMPORTANT:

BEFORE PROCEEDING, ENSURE THE GRILL IS PREPARED FOR INSTALLATION AND COMPONENTS ARE REMOVED AS REQUIRED.
See the Unpack & Prepare Grill section on page 13.

It is not required to remove the front panel (or knobs) to install this unit.

DO NOT lift the unit from the front panel when installing.

CAUTION: THE APPLIANCE IS HEAVY AND REQUIRES THREE OR MORE PEOPLE FOR SAFE HANDLING.

1. Verify the concrete is completely dry.
2. Using 3 people minimum, carefully lift and place the rear end of the appliance over the cart opening and begin to slide the unit inward. **DO NOT SLIDE THE UNIT IN COMPLETELY!** **While installing:**
 - Be sure to simultaneously route the flex connector and wire harness extension (if applicable) down through the large circular opening on the upper portion of the post base. See Fig. 19-1, A and B.
 - **TAKE EXTRA CAUTION WHEN ROUTING THE GAS AND ELECTRICAL CONNECTIONS.**
 - Route the wire harness extension down the left side of the grill front leg (see Fig. 19-2). Routing the harness on the right side of the front leg will cause pinching and damage to the wiring.
 - Slide in the appliance completely until the back portion of the unit drops slightly, the hangers are resting evenly on the post base grill housing, and the unit reaches its full stopping point.

Important: Ensure gas connections (and electrical, if applicable) are clear from pinching, undamaged, and the appliance is completely inserted into the post base grill cavity.

3. Use the four 3/8" hex screws included with the grill installation hardware to fasten the appliance's front and rear legs from underneath the grill cavity housing and secure the grill to the post base. See Fig. 19-3. Tighten securely.

IMPORTANT:

THE HEX BOLTS MUST BE USED TO PROPERLY SECURE THE APPLIANCE TO THE POST BASE.

Proceed to the COMMON INSTALLATION section.

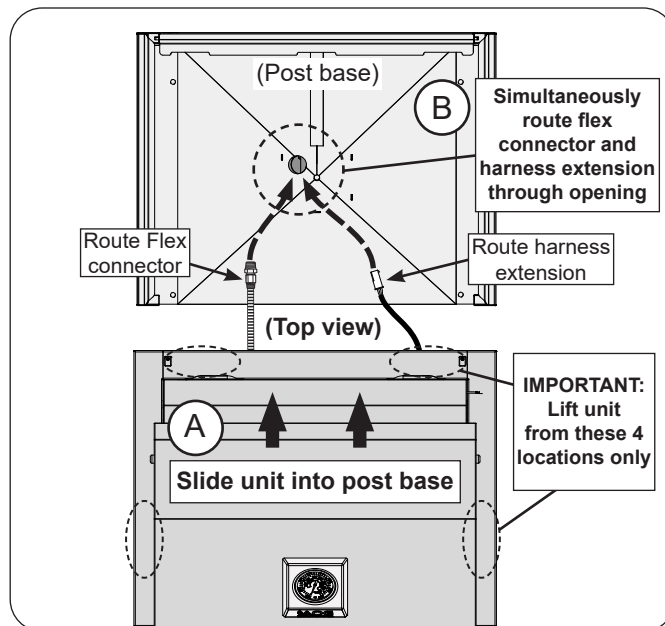


Fig. 19-1 Install grill to post base

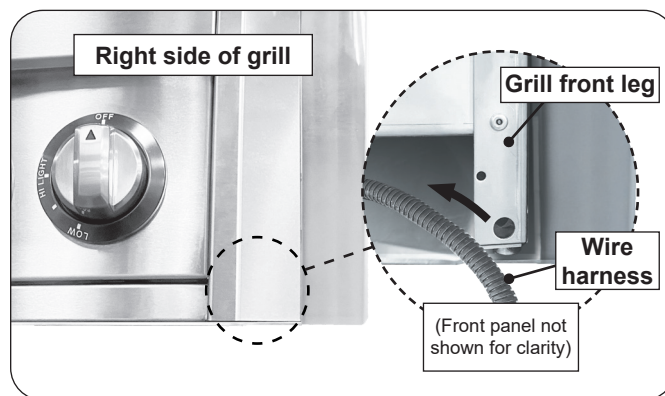


Fig. 19-2 Route wire harness

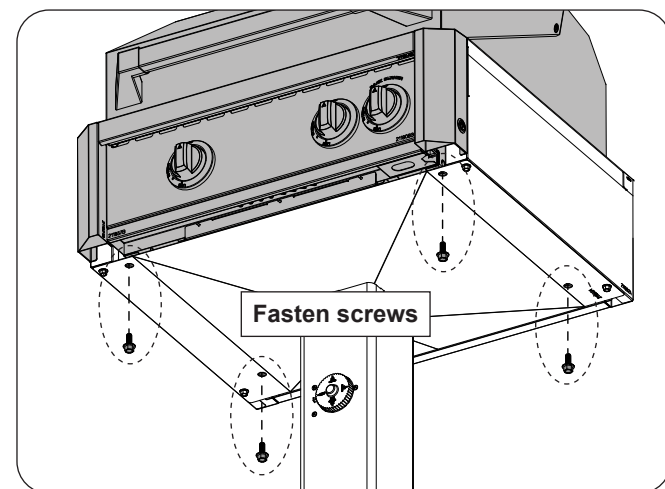


Fig. 19-3 Secure appliance to post base

COMMON INSTALLATION

CONNECT FLEX FROM GRILL TO TIMER

Through the rear interior access of the post, position the flex connector and fasten it to the flare adapter that is pre-attached to the top of the timer valve. See Fig. 20-1. Fasten securely.

CONNECT GAS SUPPLY

If connecting to gas supply above ground, the flex connector MUST be routed through the rear access plate knock-out. See the ROUTE FLEX CONNECTOR (ABOVE GROUND METHOD ONLY) section on page 17 and see Fig. 20-2.

To Connect To Propane Cylinder:

In the grill owner's manual, read the safety warnings and follow the instructions in the section SAFE USE AND MAINTENANCE OF PROPANE GAS CYLINDERS.

- If installing the L.P. tank with a separately purchased propane tank holder, also follow the instructions supplied with the tank holder for all installation details.
- If installing the cylinder into a custom-built enclosure, the enclosure should be built at this point. See the CONSTRUCT PROPANE CYLINDER ENCLOSURE section.
- Only a C.S.A. listed stainless steel flex connector can be connected to the unit.
- The regulator/hose assembly coming from the cylinder can only be connected to the above mentioned flex connector. A 1/2" male-to-male flare adapter will be required (not included).

DO NOT connect the regulator/hose assembly directly to the unit.

To Connect To Natural Or Household Propane Gas Supply:

- Before connecting the gas supply to your appliance, pressures **MUST be tested** and **MUST NOT exceed 10.5" w.c.** for Nat. gas and 13" w.c. for L.P. gas. An additional regulator may be required.
- Refer to the GAS SUPPLY PLUMBING REQUIREMENTS section of the grill owner's manual for all details on the gas supply and its setup.

4. Turn OFF the gas supply at the source.
5. Route the flex connector to the gas supply stub.
6. A shut-off valve is required within 6 feet of the unit and must be easily accessible.

If shut-off valve is installed in-line:

- Install the supplied flare-to-NPT adapter to the gas supply (NPT) using a pipe joint compound resistant to all gasses (see Fig. 20-3, A). Tighten securely.
- Connect the flex connector to the adapter (see Fig. 20-3, A). Tighten securely.

If shut-off valve is connected to end of gas supply stub:

- Connect the flex connector to the shut-off valve (flare) (see Fig. 20-3, B). Tighten securely.

LEAK TEST

Turn all burner valves to the **OFF** position. Turn on the gas supply, and test at all connections for leaks using a soapy water solution. If bubbles appear, a leak is present. Turn off the gas and tighten at all connections. Repeat until no leaks are present. If a leak persists, turn off the gas supply and contact the local gas company or dealer.

NEVER USE A FLAME TO CHECK FOR LEAKS.

Once the leak test is complete, turn off the gas supply and proceed.

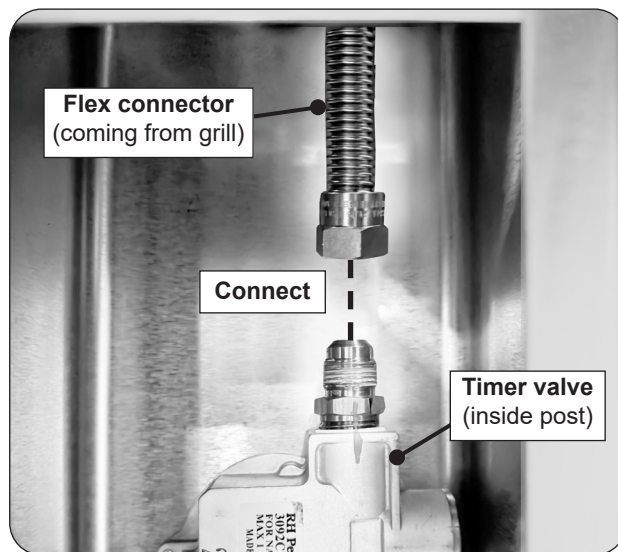


Fig. 20-1 Connect grill to timer

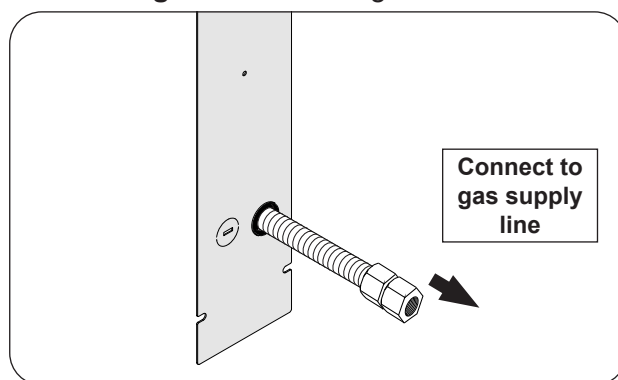


Fig. 20-2 Connect gas supply (above ground)

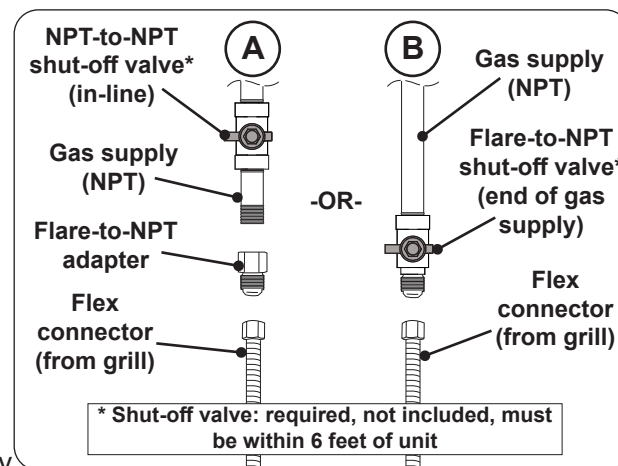


Fig. 20-3 Connecting to a gas line

ELECTRICAL CONNECTIONS (if applicable)

Note: Use the grill installation hardware provided to complete the steps below as applicable. Refer to the REPLACEMENT PARTS LIST as needed.

Mount Power Supply To Access Plate

1. Orient the power supply (previously removed from grill) to the access plate as shown in Fig. 21-1 and secure it to the access plate with the provided hardware.
2. Remove the knock-out and install the grommet.
3. Route the power cord through the grommet.

Connect Grill Harness To Power Supply

CAUTION: IMPROPERLY CONNECTED WIRES WILL CAUSE DAMAGE TO THE GRILL AND MAY RESULT IN PROPERTY DAMAGE AND/OR PERSONAL INJURY.

From the rear access of the post, connect the power supply to the grill harness extension coming down the post. See Fig. 21-2, B.

Important: Apply dielectric grease to the male connectors prior to making any wire connections.

Route Power Supply Cord

The power cord will need to be routed through the access plate to a **120VAC (15 AMP minimum) GFCI GROUNDED 3-wire receptacle**. The GFCI receptacle must be a WEATHER-PROOF IN-USE COVERED RECEPTACLE.

1. Remove the knock-out disc at the bottom left of the access plate with a large flathead screwdriver. (Insert the screwdriver into the notch provided in the center of the knock-out.)
2. Feed the power cord through the newly created hole.
3. Install the included bushing onto the power cord and slide the bushing up against the access plate knock-out hole and snap into place. See Fig. 21-3.

Connect Power Cord

Connect the cord coming from the rear access plate to a **120VAC (15 AMP minimum) GFCI GROUNDED 3-wire receptacle**. The GFCI receptacle must be a WEATHER-PROOF IN-USE COVERED RECEPTACLE. See Fig. 21-3.

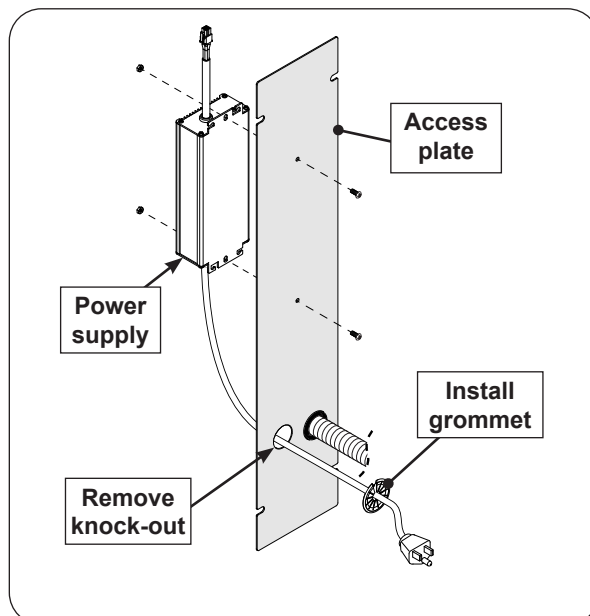


Fig. 21-1 Mount power supply to access plate

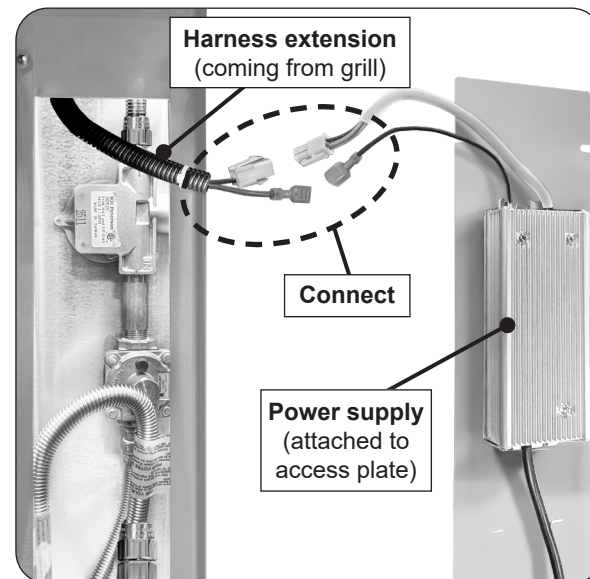


Fig. 21-2 Connect grill harness to power supply

WARNING

Electrical Grounding Instructions:
 This appliance is equipped with a three-pronged (grounding) plug for your protection against shock hazard and should be plugged directly into a properly grounded three-prong receptacle. **Do not cut or remove the grounding prong from this plug.**

RE-SECURE ACCESS PLATE

Carefully replace the access plate using the four screws, ensuring all interior components are properly oriented inside of the post. Ensure the flex connector and power cable (as applicable) coming out of the rear of the post are properly situated and the plastic bushing/grommet pieces are secure in place.

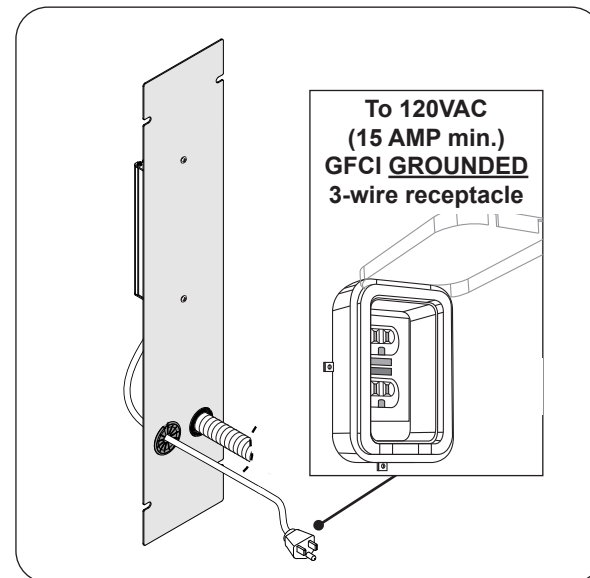


Fig. 21-3 Route and connect power cord

COMMON INSTALLATION (cont.)

INSTALL RIGID SHELVES

This post base comes with two (2) rigid shelves (with hardware) that must be attached. Use a Phillips-head screw driver to fasten the eight support screw with eight lock washers to post base. See the REPLACEMENT PARTS LIST as needed.

Important: Take caution to not cross-thread when tightening the screws.

1. Hold the shelf inverted so that one of the corner holes in the shelf lines up with the appropriate upper screw hole in the grill.
2. Insert the lock washer and screw, but do not tighten all the way so that the shelf can be easily rotated around the first screw.
3. Line up the second corner hole in the shelf with the remaining upper screw hole in the grill. Insert a lock washer and screw then tighten.

Note: You may lift the edge of the shelf upward to gain better access during much of the tightening of this screw.

4. Finally, insert the bottom lock washer and screws on the left and right side of the shelf and securely tighten all screws.

To detach, reverse the process above.

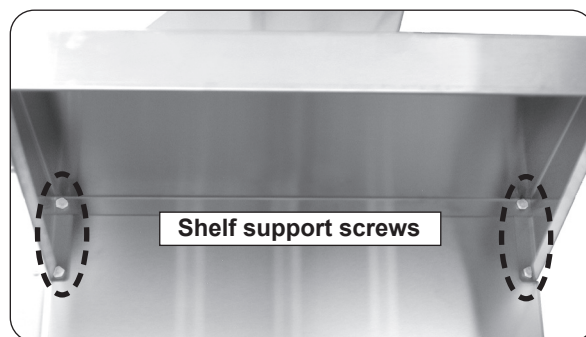


Fig. 22-1 View from under right shelf



Fig. 22-2 Install drip tray

INSTALL DRIP TRAY

Insert a liner. Reinstall the drip tray by inserting it into the slot found below the front panel and slide it in completely.

INSTALL OVEN HOOD SIDE HANDLE IT (if equipped)

Locate the side handle kit and refer to the included instructions for installation details.

Refer to the appliance owner's manual for any further instructions required to complete the installation of your appliance.

SERVICING AND CLEANING

SERVICING AND CLEANING

Refer to the SERVICING AND CLEANING section of your appliance owner's manual for all information.